

CONTACT POSITION FRONT VIEW

3 POLE

PIN	WIRE
1	BROWN
3	BLUE
4	BLACK

4 POLE

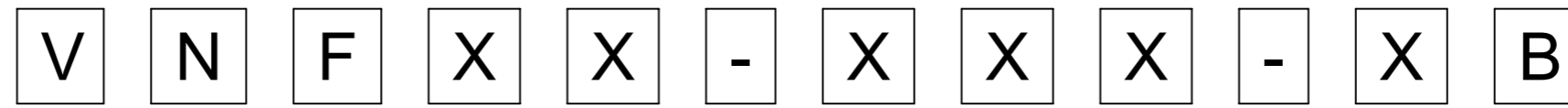
PIN	WIRE
1	BROWN
2	WHITE
3	BLUE
4	BLACK

5 POLE

PIN	WIRE
1	BROWN
2	WHITE
3	BLUE
4	BLACK
5	GREY

ENGINEERING No -NUMERICAL CODE

(Available parts see PART LIST table. Other parts available upon request.)



M8x1 FEMALE

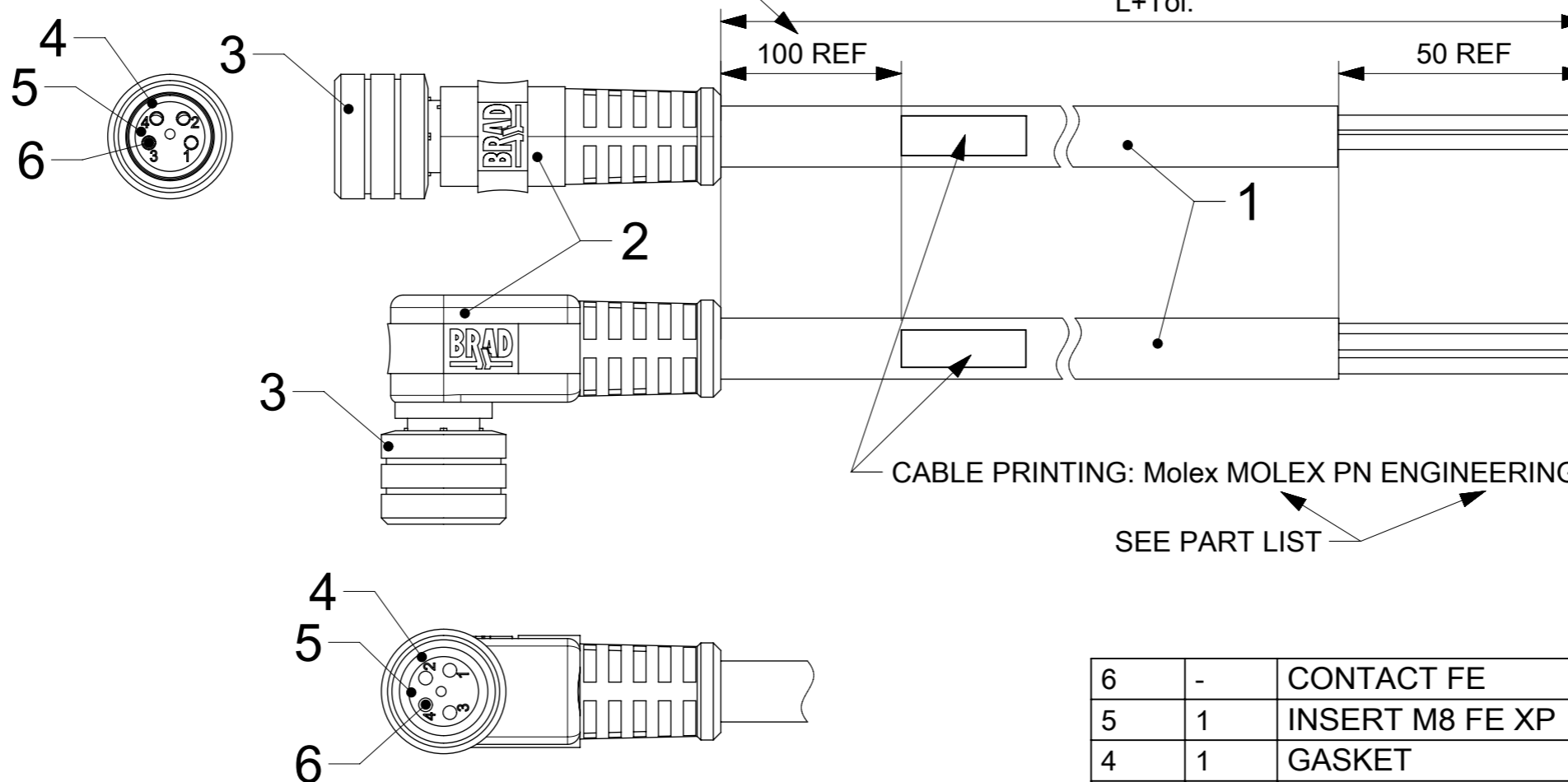
S = STRAIGHT
R = RIGHT ANGLE

NUMBER OF POLES:
3 = 3 POLES
4 = 4 POLES
5 = 5 POLES

LENGTH
005 = 0.5 M
010 = 1 M
020 = 2 M
050 = 5 M
150 = 15 M
200 = 20 M

TYPE OF CABLE:
E = PVC
P = PUR

FOR CABLES SHORTER THAN 600 mm
PRINTING 30 mm FROM HEAD



CABLE PRINTING: Molex MOLEX PN ENGINEERING No MXYWW
SEE PART LIST
YY-YEAR, WW-WEEK

ITEM	QTY.	DESCRIPTION	MATERIAL	FINISH / COLOR
6	-	CONTACT FE		
5	1	INSERT M8 FE XP	SEE MATRIX	-
4	1	GASKET	FKM	RED
3	1	COUPLING NUT FE M8	BRASS	Ni PLATED
2	-	MOULDING MATERIAL	TPU	BLACK
1	-	CABLE	SEE MATRIX	-

length		Tol.
over	up and included	
0	1m	+20 / -10 mm
1m	5m	±25 mm
5m	10m	±30 mm
10m	20m	±30 mm
20m	30m	±50 mm
30m	>	±60 mm

NOTES:
1. RATED VOLTAGE 50V AC / 60V DC FOR 3 & 4 POL
RATED VOLTAGE 30V AC / DC FOR 5 POL
2. RATED CURRENT 3A

RELEASE STATUS P1 RELEASE DATE 2019/07/12 08:45:02

THIS DRAWING CONTAINS INFORMATION THAT IS PROPRIETARY TO MOLEX ELECTRONIC TECHNOLOGIES, LLC AND SHOULD NOT BE USED WITHOUT WRITTEN PERMISSION

QUALITY SYMBOLS	2019/07/09 2019/07/12 2019/07/12	GENERAL TOLERANCES (UNLESS SPECIFIED)	DIMENSION UNITS	SCALE	<p>CSE M8 XP AC FE XM SE</p> <p>PRODUCT CUSTOMER DRAWING</p>
▽ = 0	DRWN: JBADER	ANGULAR TOL ± °	mm	2:1	
▽ = 0	CHK'D: PLERCHENFELD	4 PLACES ±	AKONDRACIUK	2016/10/21	
▽ = 0	APPR: PLERCHENFELD	3 PLACES ±	MIWASIECZKO	2017/02/20	
▽ = 0	EC NO: 620317	2 PLACES ±	DRAWING SIZE	THIRD ANGLE PROJECTION	SERIES: 120086
▽ = 0	DRWN: JBADER	1 PLACE ±	A3		MATERIAL NUMBER: SEE SHEET 2
▽ = 0	CHK'D: PLERCHENFELD	0 PLACES ±			CUSTOMER: SEE SHEET 2
▽ = 0	APPR: PLERCHENFELD	DRAFT WHERE APPLICABLE MUST REMAIN WITHIN DIMENSIONS			DOCUMENT NUMBER: 1200865019
▽ = 0					DOC TYPE: PSD
					DOC PART: 00P
					SHEET NUMBER: 1 OF 2

PART LIST

POLE	S/R	CABLE PUR		
		MOLEX PN	ENGINEERING No	LENGTH [mm]
3	STRAIGHT	1200865097	VNFS3-020-PB	2000
		1200865099	VNFS3-050-PB	5000
		1200865101	VNFS3-100-PB	10000
	RIGHT ANGLE	1200865083	VNFR3-020-PB	2000
		1200865085	VNFR3-050-PB	5000
		1200865087	VNFR3-100-PB	10000
4	STRAIGHT	1200865103	VNFS4-020-PB	2000
		1200865104	VNFS4-050-PB	5000
		1200865106	VNFS4-100-PB	10000
		1200865339	VNFS4-060-PB	6000
		1200865490	VNFS4-200-PB	20000
		1200865555	VNFS4-150-PB	15000
		1200868413	VNFS4-030-PB	3000
	RIGHT ANGLE	1200865089	VNFR4-020-PB	2000
		1200865091	VNFR4-050-PB	5000
		1200865093	VNFR4-100-PB	10000
5	STRAIGHT	1200865107	VNFS5-020-PB	2000
		1200865109	VNFS5-050-PB	5000
		1200868430	VNFS5-100-PB	10000
	RIGHT ANGLE	1200865492	VNFS5-150-PB	15000
		1200865094	VNFR5-020-PB	2000
		1200865095	VNFR5-050-PB	5000
		1200865117	VNFR5-100-PB	10000

POLE	S/R	CABLE PVC		
		MOLEX PN	ENGINEERING No	LENGTH [mm]
3	STRAIGHT	1200865096	VNFS3-020-EB	2000
		1200865098	VNFS3-050-EB	5000
		1200865100	VNFS3-100-EB	10000
	RIGHT ANGLE	1200865082	VNFR3-020-EB	2000
		1200865084	VNFR3-050-EB	5000
		1200865086	VNFR3-100-EB	10000
4	STRAIGHT	1200865510	VNFS4-010-EB	1000
		1200865102	VNFS4-020-EB	2000
		1200865338	VNFS4-030-EB	3000
		1200865019	VNFS4-050-EB	5000
		1200865489	VNFS4-060-EB	6000
		1200868595	VNFS4-070-EB	7000
		1200865105	VNFS4-100-EB	10000
	RIGHT ANGLE	1200865343	VNFS4-150-EB	15000
		1200865088	VNFR4-020-EB	2000
		1200865090	VNFR4-050-EB	5000
5	STRAIGHT	1200865092	VNFR4-100-EB	10000
		1200865522	VNFS5-020-EB	2000
		1200865108	VNFS5-050-EB	5000
		1200865491	VNFS5-100-EB	10000

THIS DRAWING CONTAINS INFORMATION THAT IS PROPRIETARY TO MOLEX ELECTRONIC TECHNOLOGIES, LLC AND SHOULD NOT BE USED WITHOUT WRITTEN PERMISSION													
QUALITY SYMBOLS 	2019/07/09 2019/07/12 2019/07/12 EC NO: 620317 DRWN: JBADER CHK'D: PLERCHENFELD APPR: PLERCHENFELD REV:	GENERAL TOLERANCES (UNLESS SPECIFIED)		DIMENSION UNITS	SCALE	 CSE M8 XP AC FE XM SE							
		ANGULAR TOL ± °		mm	1:1								
		4 PLACES ±	AKONDRACIUK	2016/10/21									
		3 PLACES ±	CHK'D BY	DATE	PRODUCT CUSTOMER DRAWING								
		2 PLACES ±	APPR BY	DATE	SERIES	MATERIAL NUMBER	CUSTOMER						
		1 PLACE ±	MIWASIECZKO	2017/02/20	120086	SEE PART LIST							
		0 PLACES ±	DRAFT WHERE APPLICABLE MUST REMAIN WITHIN DIMENSIONS		DRAWING SIZE	THIRD ANGLE PROJECTION	DOCUMENT NUMBER		DOC TYPE	DOC PART	SHEET NUMBER		
			A2		A3		1200865019	PSD	00P	2 OF 2			

Mouser Electronics

Authorized Distributor

Click to View Pricing, Inventory, Delivery & Lifecycle Information:

[Molex:](#)

[1200865083](#) [1200868004](#) [1200868052](#) [1200868053](#) [1200868090](#) [1200868161](#) [1200868840](#) [1200868841](#)