

**M12 FEMALE 90° FIELD-WIREABLE SCREW TERM.**

5-pol. max.0,75mm<sup>2</sup> 4-6mm

Female 90°

M12, 5-pole

Screw terminals

Sealing range (cable Ø): 4...6 mm

Plastic housings with good resistance against chemicals and oils.

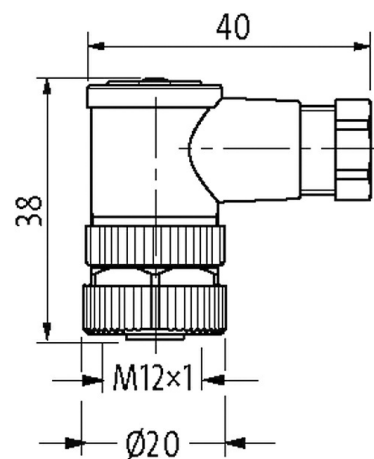
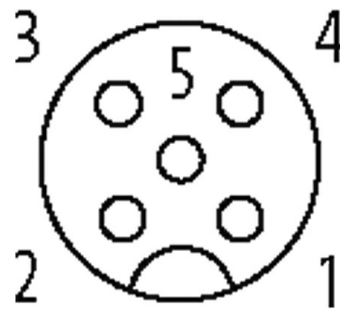
The resistance to aggressive media should be individually tested for your application. Further details on request.

[Link to Product](#)

Illustration



## Female



Product may differ from Image

### Approvals



### Form

Form 13001

### Technical Data

Operating voltage max. 60 V

Rated surge voltage	0.8 kV
Operating current per contact	max. 4 A; max. 3 A (UL-Recognized)
Material group	III
Connection cross section	max. 0.75 mm <sup>2</sup>
Sealing range (cable Ø)	4...6 mm
Over voltage category	II
Locking of ports	Screw thread (M12×1 mm) recommended torque 0.6 Nm, self-securing
Compression gland	M12 (SW18)
Protection	IP67 inserted and tightened (EN 60529)

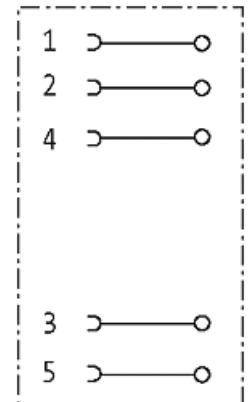
#### General data

Pollution Degree	3
Dimensions H×W×D	38×40×20 mm
Material (housing)	PA
Temperature range	-40...+85 °C

#### Commercial data

country of origin	DE
customs tariff number	85366990
EAN	4048879201513
eClass	27279221
Packaging unit	1

#### Sketch



Product may differ from Image