

M12 FEMALE STRAIGH FIELD-WIREABLE SCREW TERM.4-pol. max.0,75mm² 4-6mm

Female straight

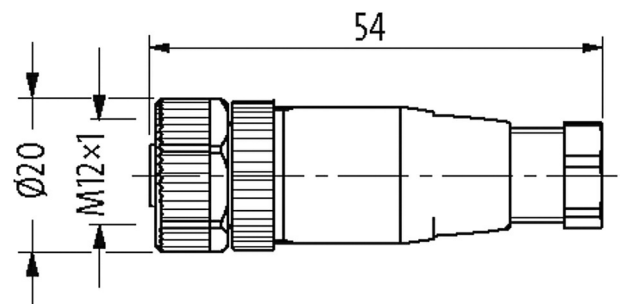
M12, 4-pole

Screw terminals

Sealing range (cable Ø): 4...6 mm

Plastic housings with good resistance against chemicals and oils.

The resistance to aggressive media should be individually tested for your application. Further details on request.

[Link to Product](#)**Illustration**

Product may differ from Image

Approvals**Form**

Form 12901

Technical Data

Operating voltage	max. 250 V AC/DC
Operating current per contact	max. 4 A
Connection cross section	max. 0.75 mm ²
Sealing range (cable Ø)	4...6 mm
Locking of ports	Screw thread (M12×1 mm) recommended torque 0.6 Nm, self-securing
Protection	IP67 inserted and tightened (EN 60529)

General data

Dimensions H×W×D	54×20×20 mm
Temperature range	-40...+85 °C

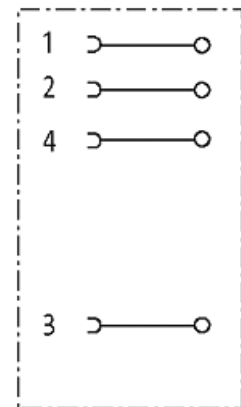
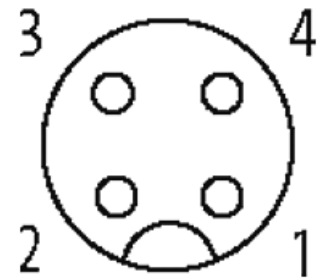
Commercial data

The information in this brochure has been compiled with the utmost care.
 Liability for the correctness completeness and topicality of the information is restricted to gross negligence. Version: 05/21

country of origin	DE
customs tariff number	85366990
EAN	4048879201568
eClass	27279221
Packaging unit	1

Sketch

Female



Product may differ from Image