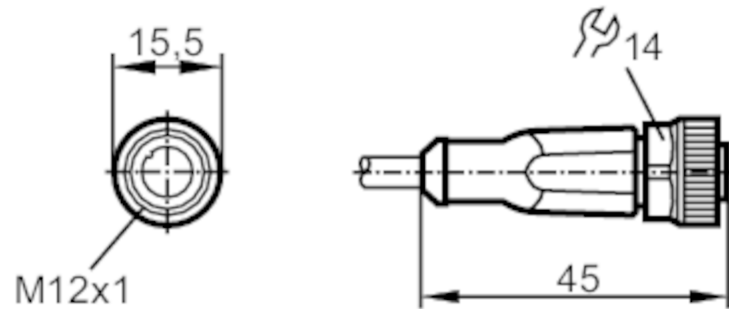


# EVC629



## Female cordset

ADOGH050MSS0020C05



### Application

|                    |  |
|--------------------|--|
| System             | Free from silicone; Halogen-free; gold-plated contacts; screened cable; Drag chain suitability |
| Free from silicone | yes  |

### Electrical data

|                                 |                   |
|---------------------------------|-------------------|
| Operating voltage [V]           | < 30 AC / < 36 DC |
| Protection class                | III               |
| Max. current load total [A]     | 4                 |
| Overall current rating (UL) [A] | 3                 |

### Operating conditions

|                                      |                             |
|--------------------------------------|-----------------------------|
| Ambient temperature [°C]             | -25...90                    |
| Note on ambient temperature          | cULus: ...75                |
| Ambient temperature (moving) [°C]    | -25...90                    |
| Note on ambient temperature (moving) | cULus: ...75                |
| Protection                           | IP 65; IP 67; IP 68; IP 69K |

# EVC629



## Female cordset

ADOGH050MSS0020C05

| Mechanical data        |  |  |
|------------------------|--|--|
| Weight [g]             | 772  |  |
| Dimensions [mm]        | 15.5 x 15.5 x 45                             |  |
| Material               | housing: TPU (urethane) orange; sealing: FKM |  |
| Material nut           | brass, nickel-plated                         |  |
| Drag chain suitability | yes  |  |
| Drag chain suitability | Bending radius for flexible applications     | min. 10 x cable diameter   |
|                        | Travel speed                                 | max. 3.3 m/s for a horizontal travel length of 5 m and max. acceleration of 5 m/s <sup>2</sup> |
|                        | Bending cycles                               | ≥ 2 Mio.   |
|                        | Torsional strain                             | ± 180 °/m  |
|                        |  |  |

## Remarks

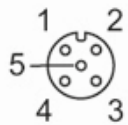
|               |        |
|---------------|--------|
| Pack quantity | 1 pcs. |
|---------------|--------|

## Electrical connection

Cable: 20 m, PUR, Halogen-free, black, Ø 4.9 mm, screened; 5 x 0.25 mm<sup>2</sup> (32 x Ø 0.1 mm )

## Electrical connection - Socket

Connector: 1 x M12, straight; Locking: brass, nickel-plated; Contacts: gold-plated; Tightening torque: 0.6...1.5 Nm; Shielded connection cable: shield not connected



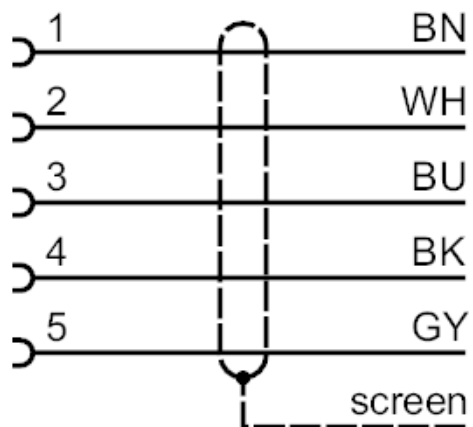
# EVC629



## Female cordset

ADOGH050MSS0020C05

### Connection



Core colors :

|      |       |
|------|-------|
| BK = | black |
| BN = | brown |
| BU = | blue  |
| GY = | grey  |
| WH = | white |