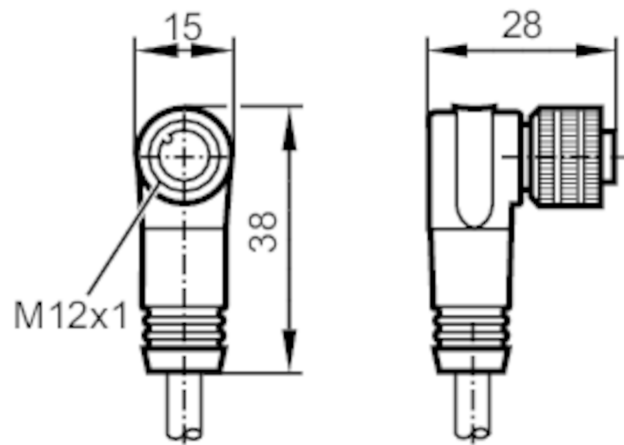


# E12168



## Connecting cable with socket

ADOAH080MSS0005B08



### Electrical data

Operating voltage [V]	< 30 AC / < 36 DC
Max. current load total [A]	2

### Operating conditions

Ambient temperature [°C]	-40...80
Protection	IP 68

### Mechanical data

Weight [g]	284
Dimensions [mm]	28 x 15 x 38
Materials	TPU
Material nut	brass, nickel-plated

### Remarks

Notes	For 8-pole sockets the core colours are not standardised.; Please note the wiring of the sensor and the sockets (see data sheet).
Pack quantity	1 pcs.

### Electrical connection

Cable: 5 m, PUR, black; 8 x 0.25 mm<sup>2</sup> (14 x Ø 0.15 mm )

### Electrical connection - socket

Connector: 1 x M12, angled; Moulded body: TPU; Locking: brass, nickel-plated; Tightening torque: 1...1.5 Nm

# E12168



## Connecting cable with socket

ADOAH080MSS0005B08



### Connection

1	WH
2	BN
3	GN
4	YE
5	GY
6	PK
7	BU
8	RD

#### colours to DIN

47100

BN =	brown
BU =	blue
GN =	green
GY =	grey
PK =	pink
RD =	red
WH =	white
YE =	yellow

#### Core colours :