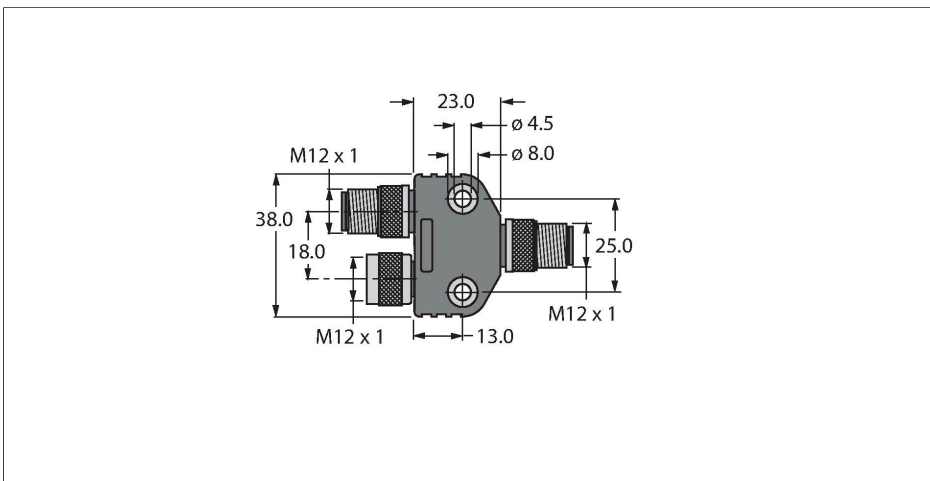


VB2-FSW-FKW-FSW-45

2-port Junction Systems – PROFIBUS Y-splitter, Fully Shielded, 12 Mbps



Features

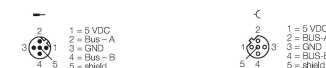


- Design: M12 adapter
- Y piece, 5-pin, reverse-keyed
- For use in PROFIBUS-DP applications
- Ampacity: 150 mA (pins 2, 4), 4 A (pins 1, 3, 5)
- Rated voltage: 150 V (pins 2, 4), 250 V (pins 1, 3, 5)
- Protection class IP67

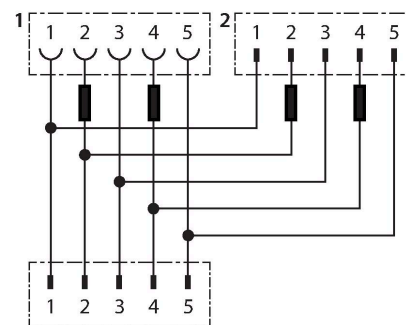
Technical data

Type	VB2-FSW-FKW-FSW-45
Ident. no.	6996009
Remark to product	Discontinued product — Please use replacement U0095-2
Y-Splitter	2
Connector A	Male Connector, Male - Female, M12 × 1
Number of pins	5/5
Contacts	Brass, CuZn, Gold-plated
Contact carriers	Plastic, TPU, Black
Connector body	Plastic, TPU, Black
Coupling nut/screw	Brass, CuZn, Nickel-plated
Seal	Plastic, FKM/FPM
Tightening torque (range)	0.8 ... 1 Nm (observe max. torque of mating connector!)
Mechanical lifespan	> 100 Mating cycles
Protection class	IP67, Only in screwed condition
Connector B	M12 × 1
Electrical properties at +20 °C	
Rated voltage	250 V
Current	4 A
Insulation resistance	≥ 10 ⁸ Ω
forward resistance	≤ 5 mΩ
Ambient temperature	
In motion	-40 °C...+105 °C

Contact assignment



Diagram



Accessories

TORQUE-WRENCH-SET-AS

6936170



Torque wrench set; handles with adjustable torque 0.4-1.0 Nm, torque wrench for M8 (SW9), fork wrench for M12 (SW 14)